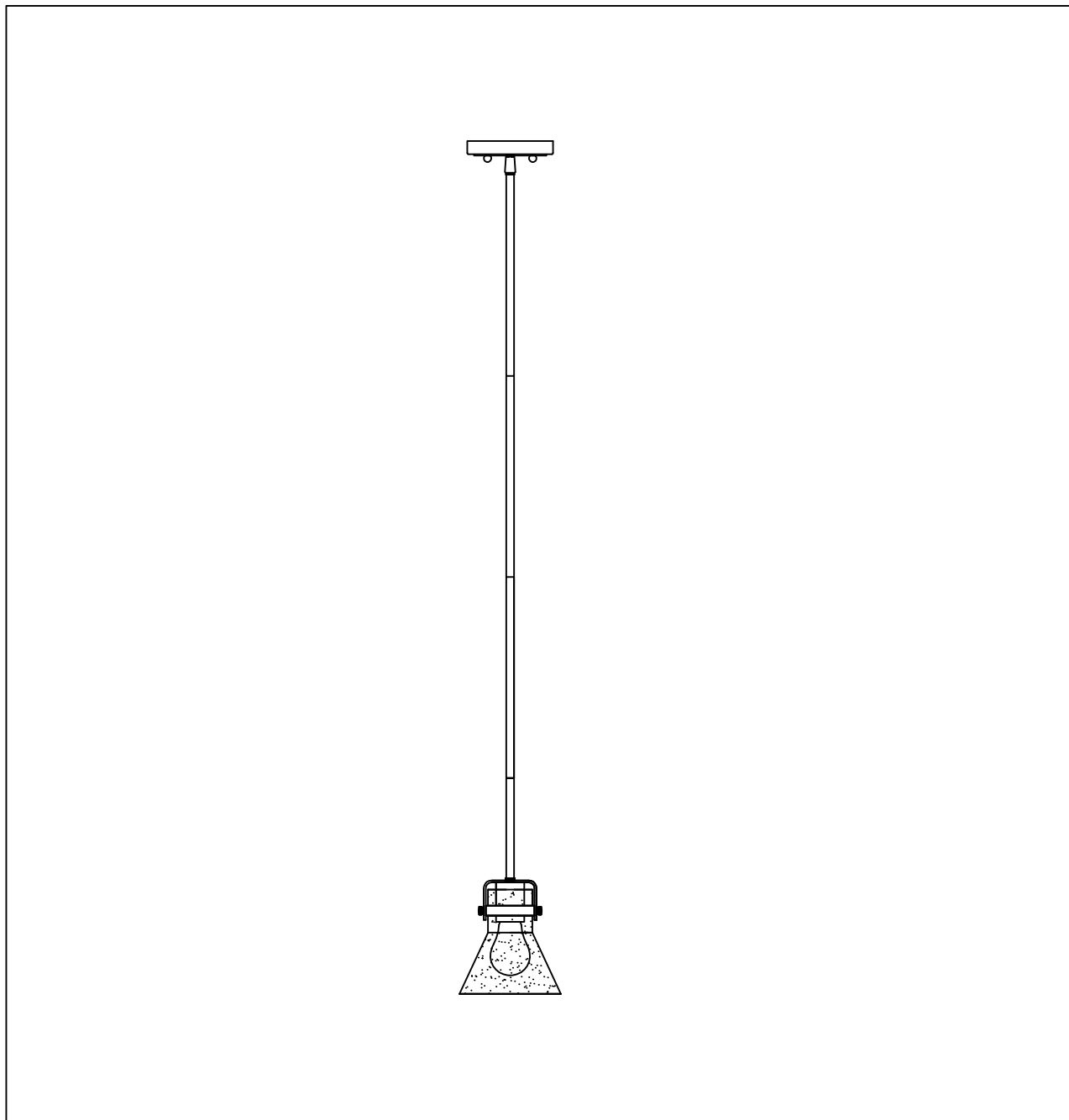




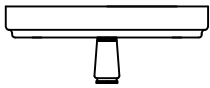
PRODUCT NAME: Seafarer 1LT Pendant
NUMBER: 91110

Please consult your electrician for Hang fixture and wiring.

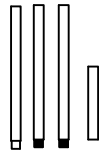


Bulb (Not included) : 1*MB 60W

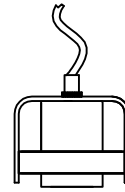
IMPORTANT: Turn off power at the main fuse or circuit breaker box before starting installation



(A) Canopy

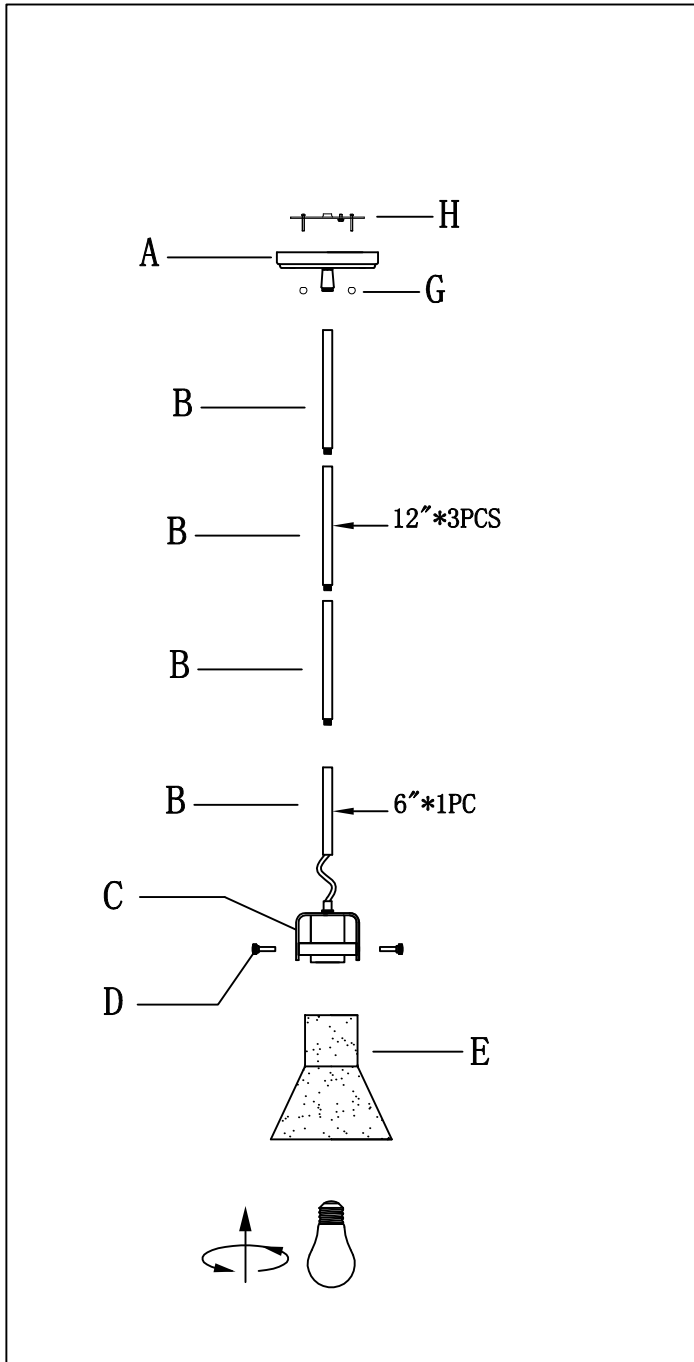


(B) Stems

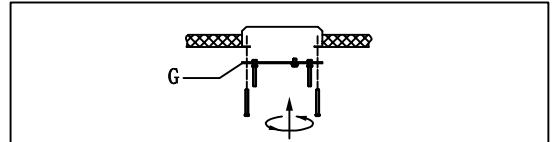


(C) Body

Locate all hardware & components before discarding packaging

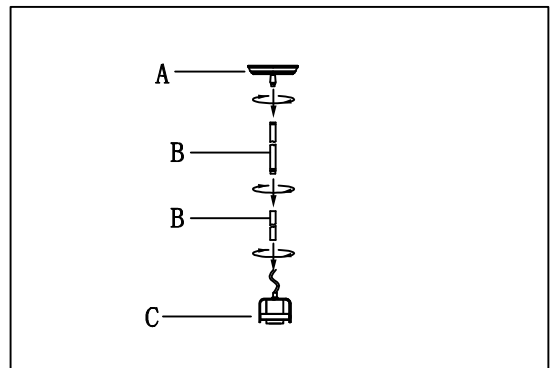


1.)



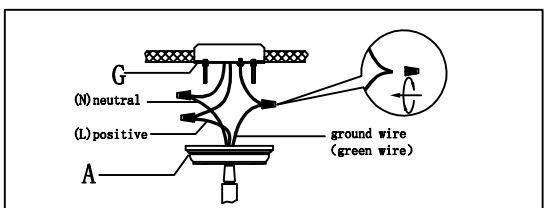
Step. 1: Remove mounting bracket (G) from fixture and install to electrical box.

2.)



Step. 2: Run wire through stems (B) and combine stem lengths to meet desired mounting height.

3.)



Step. 3: Wire fixture to wires in outlet box. Copper/Green wire is for Ground.

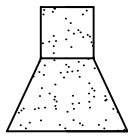
Cleaning & Care:

Clean with soft cloth and a mild detergent.
Do not use abrasive cleaner.

IMPORTANT: Turn off power at the main fuse or circuit breaker box before starting installation



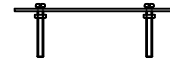
(D) Lock nut



(E) Glass

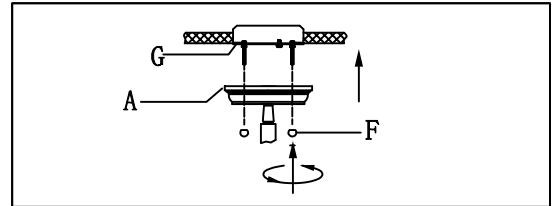
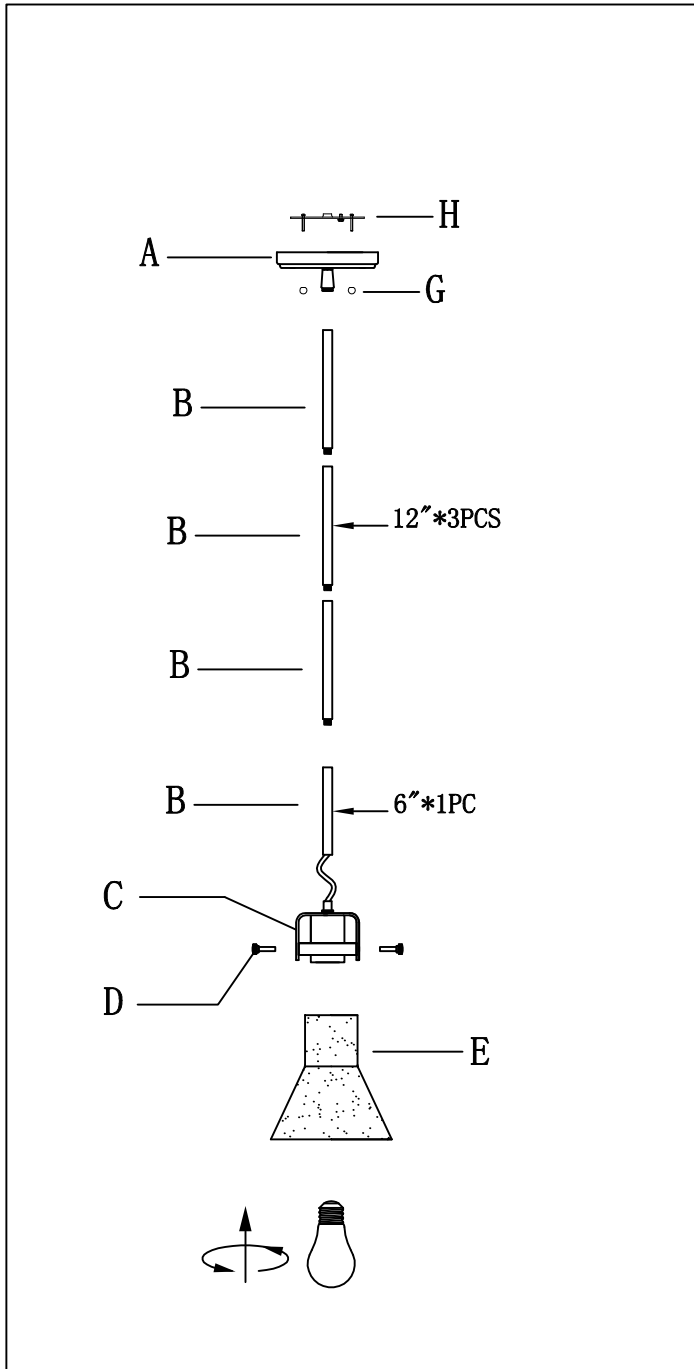


(F) Ball nut



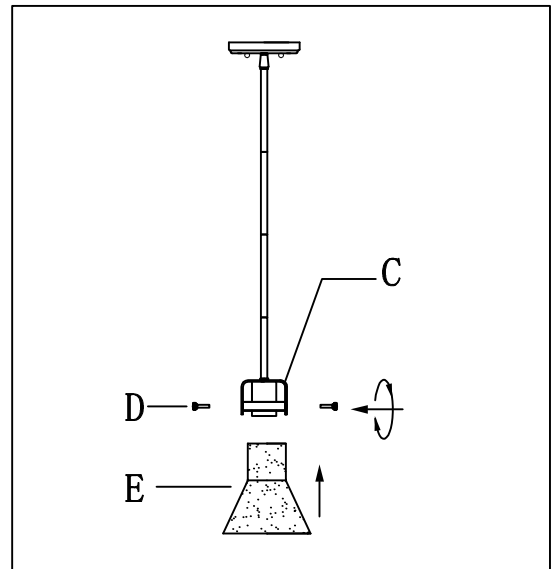
(G) Bracket

Locate all hardware & components before discarding packaging



4.)

Step. 4: Install fixture to bracket and tighten ball nuts (G) on the canopy to secure.



5.)

Step. 5: Place the glass shade on the lamp body (C) and lock screw (D), then install the bulb.

Cleaning & Care:

Clean with soft cloth and a mild detergent.
Do not use abrasive cleaner.